



Buy it for looks. Buy it for life.®

# Specifications

## FACUET DESCRIPTION

- Metal construction with various finishes identified by suffix.
- 3/8" compression inlet connection
- Compatible with S5500 Filtering System

## OPERATION

- Lever style handle
- Will operate with less than 5 lbs. of force


## FLOW

- Flow is limited to 1.5 gpm

## CARTRIDGE

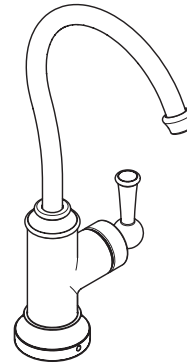
- 1234 Duralast™ cartridge

## STANDARDS

- Third party certified to ASME A112.18.1/CSA B-125.1 and all applicable requirements referenced therein including NSF 61/9 & 372
- Complies with California Proposition 65 and with the Federal Safe Drinking Water Act
- Meets CalGreen and Georgia SB370 requirements
- **ADA**  for lever handle

## WARRANTY

- Lifetime limited warranty against leaks, drips and finish defects to the original homeowner
  - 10 year limited warranty when used in a multifamily installation
  - 5 year limited warranty when used in a commercial installation
- Visit [www.moen.com/support](http://www.moen.com/support) for complete details and limitations

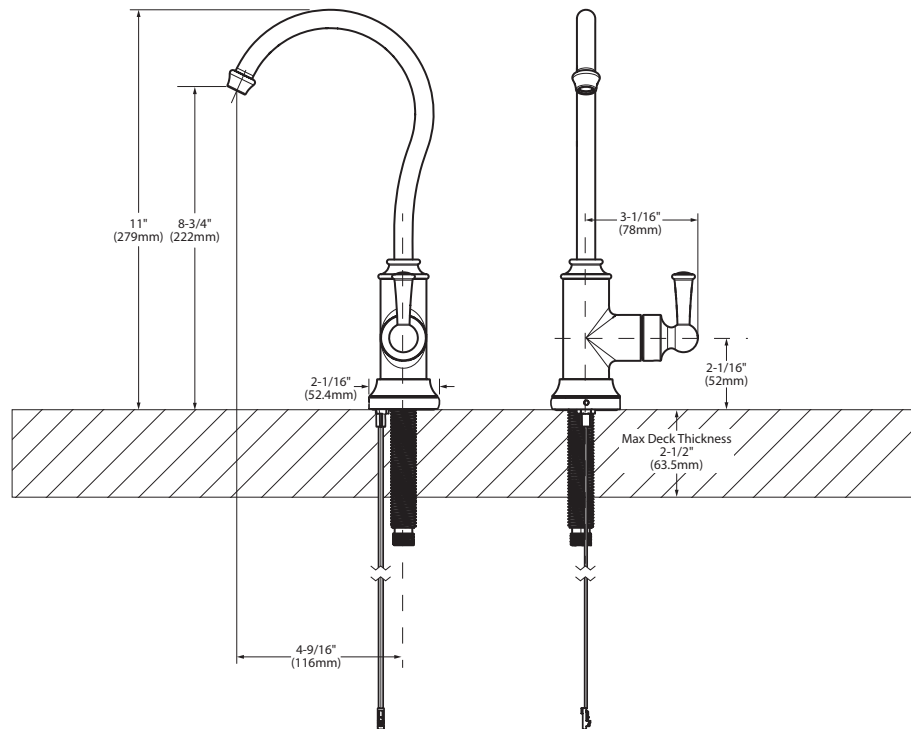


SIP™

Traditional Beverage Faucet

Models: S5510 Series

**NOTE:** DESIGNED TO INSTALL THROUGH  
1 HOLE, 1-1/4" (32MM) MIN. DIA.



## CRITICAL DIMENSIONS

(DO NOT SCALE)